

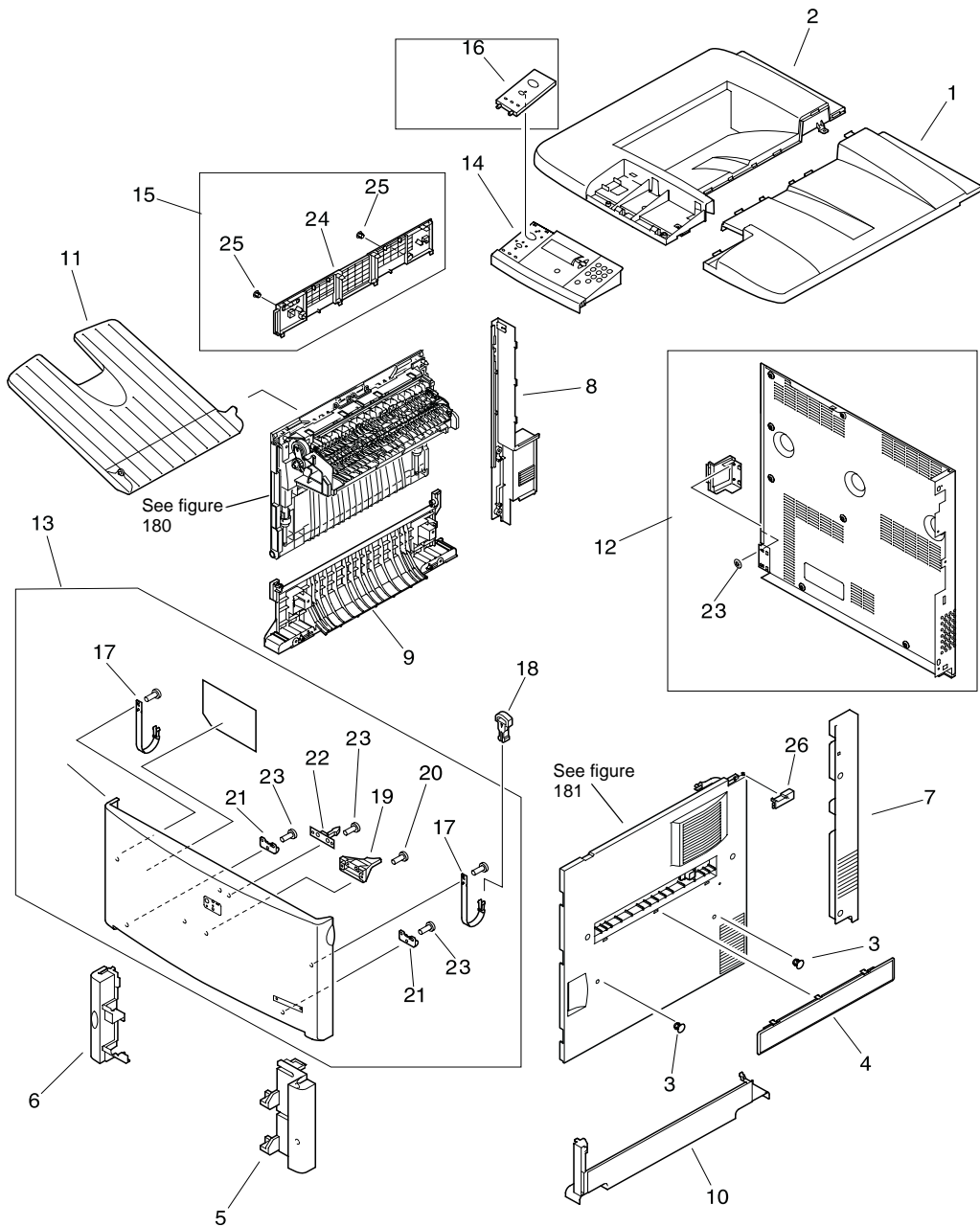
# Illustrations and parts lists

The following illustrations and parts tables list the field replaceable units (FRUs) for this printer. Two tables at the end of this chapter list all of the parts shown in this chapter: table 68, "Alphabetical parts list," on page 326 lists the parts in alphabetical order, and table 69, "Numerical parts list," on page 334 lists the parts in numerical order by part number. Both tables list the appropriate figure in this chapter that shows the part.

## Note

Parts that have no item number or part number listed are not field replaceable units (FRUs) and cannot be ordered.

## External covers and panels

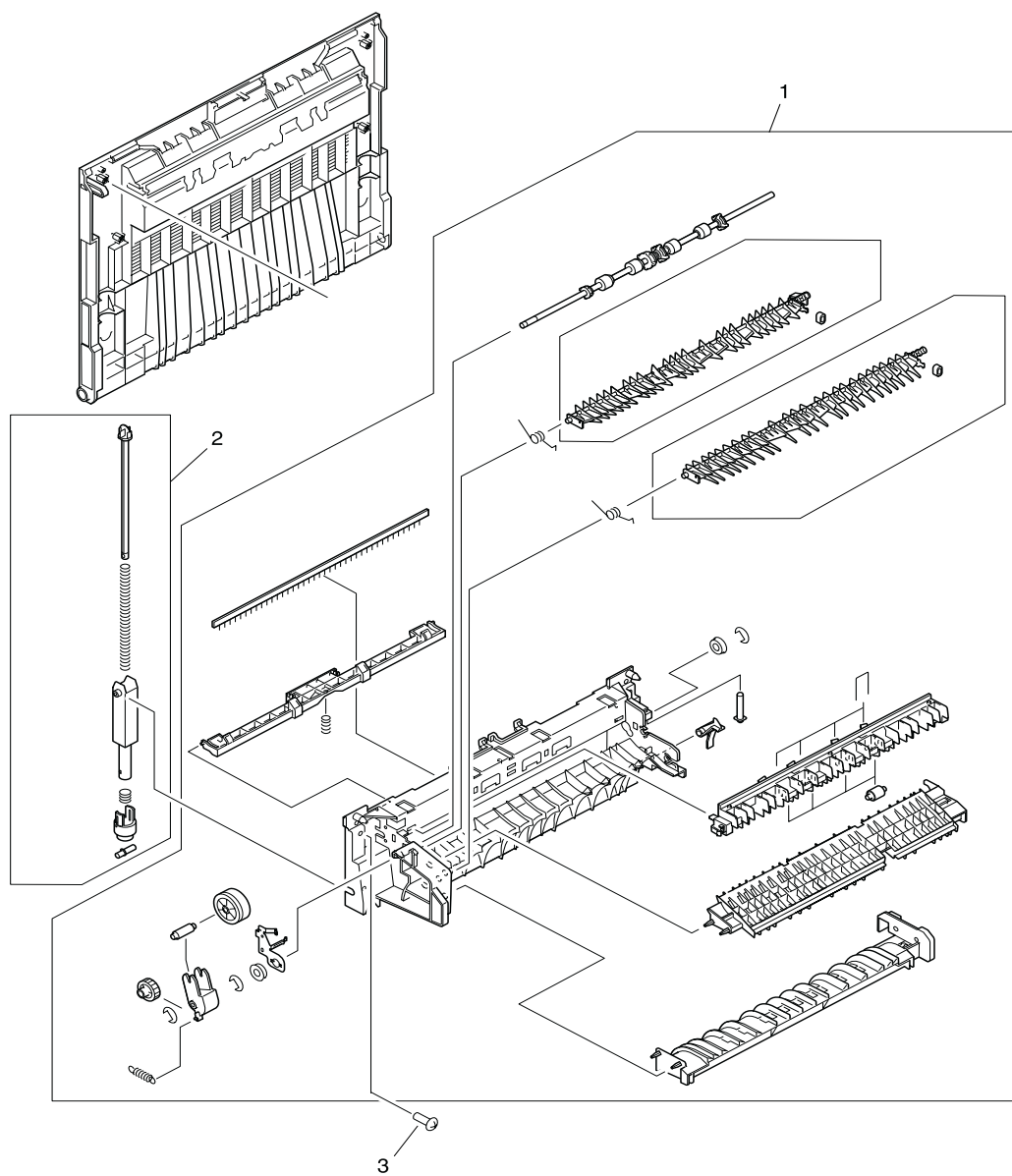


**Figure 179.** Printer external covers and panels

**Table 43. Printer external covers and panels**

Ref	Description	Part number	Qty
1	Cover, right, top	RB2-5659-000CN	1
2	Cover, left, top	RB2-5660-000CN	1
3	Cap, right cover	RB2-5675-000CN	2
4	Cover, tray 1 blanking	RB2-5676-000CN	1
5	Cover, right rail	RB2-5682-000CN	1
6	Cover, left rail	RB2-5683-000CN	1
7	Cover, right back	RB2-5684-000CN	1
8	Cover, left back	RB2-5685-000CN	1
9	Cover, left lower	RB2-5687-000CN	1
10	Cover, right lower	RB2-5689-000CN	1
11	Tray, face-up	RB2-5690-000CN	1
12	Back cover assembly	RG5-5701-000CN	1
13	Front cover assembly	RG5-5702-000CN	1
14	Control panel assembly	RG5-5703-000CN	1
15	Left upper cover assembly	RG5-5705-000CN	1
16	Cover, operation panel, 110 V	RB2-5701-000CN	1
16	Cover, operation panel, 220 V	RB2-5703-000CN	1
17	Tape cover, retaining strap	RB2-5653-000CN	2
18	Strap, rock block, retaining clip	RB2-5655-000CN	1
19	Pin	RB2-5656-000CN	1
20	Screw, M4 by 10	XA9-1189-000CN	
21	Bushing	RB2-5652-000CN	2
22	Latch, roller-action	RB2-5700-000CN	1
23	Push nut	XA9-0135-000CN	3
24	Cover, left upper	RB2-6491-000CN	1
25	Cap, right cover	RB2-5675-000CN	2
26	Plate, lock, right side	RB2-5679-000CN	1

## Left door and diverter

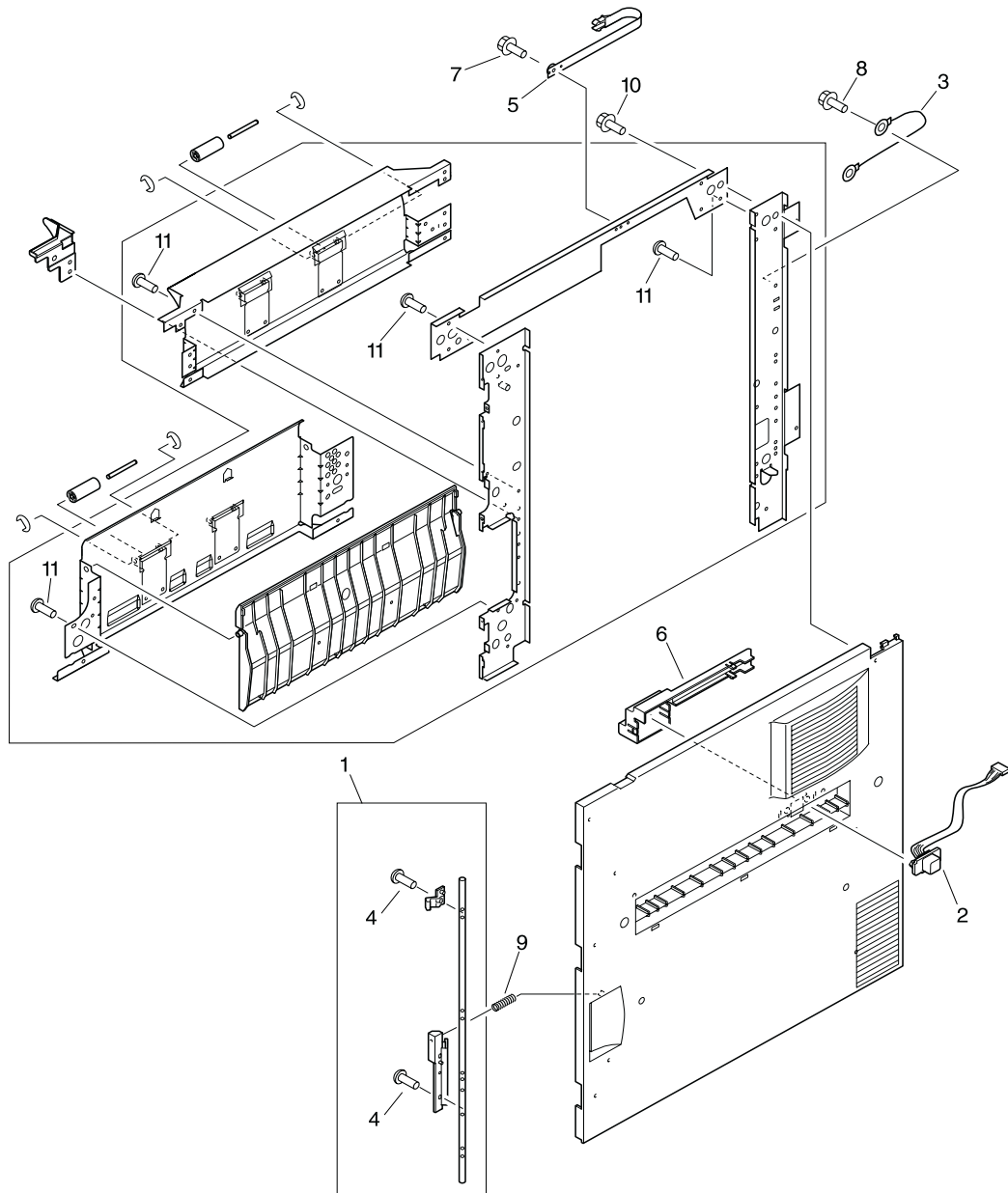


**Figure 180.** Left door and diverter

**Table 44. Left door and diverter**

<b>Ref</b>	<b>Description</b>	<b>Part number</b>	<b>Qty</b>
	Left door and diverter	RG5-5646-000CN	1
1	Face-up delivery assembly	RG5-5647-000CN	1
2	Damper assembly	RG5-5648-000CN	2
3	Screw, M4 by 10	XA9-1189-000CN	

## Right cover assembly



**Figure 181.** Right cover assembly

**Table 45. Right cover assembly**

<b>Ref</b>	<b>Description</b>	<b>Part number</b>	<b>Qty</b>
	Right cover assembly	RG5-5737-000CN	1
1	Right cover knob assembly	RG5-5740-000CN	1
2	Cable, tray 1	RG5-5763-000CN	1
3	Grounding cable, tray 1	RG5-5764-000CN	1
4	Screw, M3 by 8	XA9-1200-000CN	
5	Tape, cover (restraining strap)	RB2-5653-000CN	1
6	Cover, cable	RB2-5664-000CN	1
7	Screw, M3 by 8	XA9-1276-000CN	
8	Screw, M3 by 8	XA9-1200-000CN	
9	Spring, compression	RS6-2301-000CN	
10	Screw, M4 by 8	XA9-1277-000CN	
11	Screw, M4 by 12	XA9-1273-000CN	

# Internal components

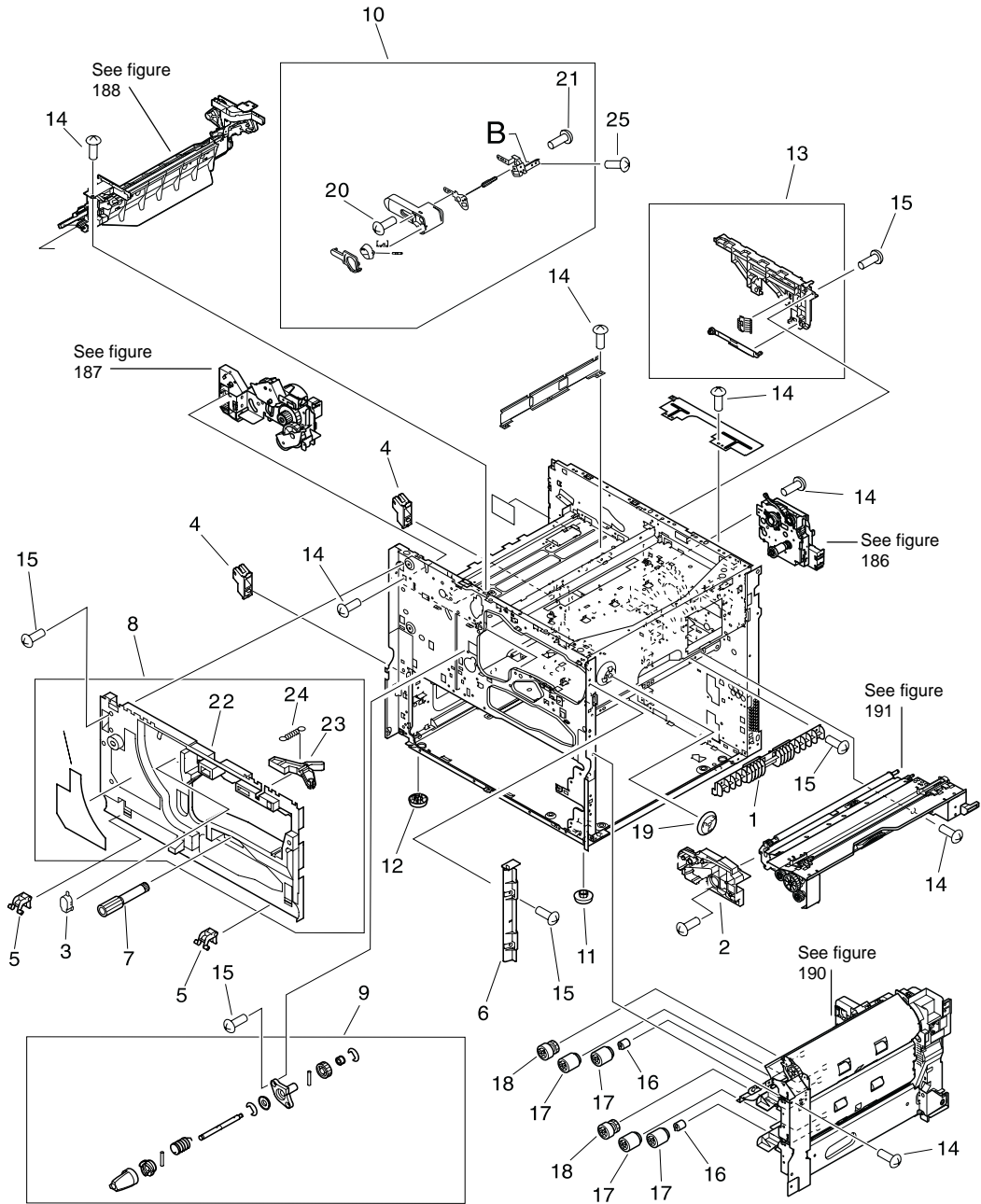
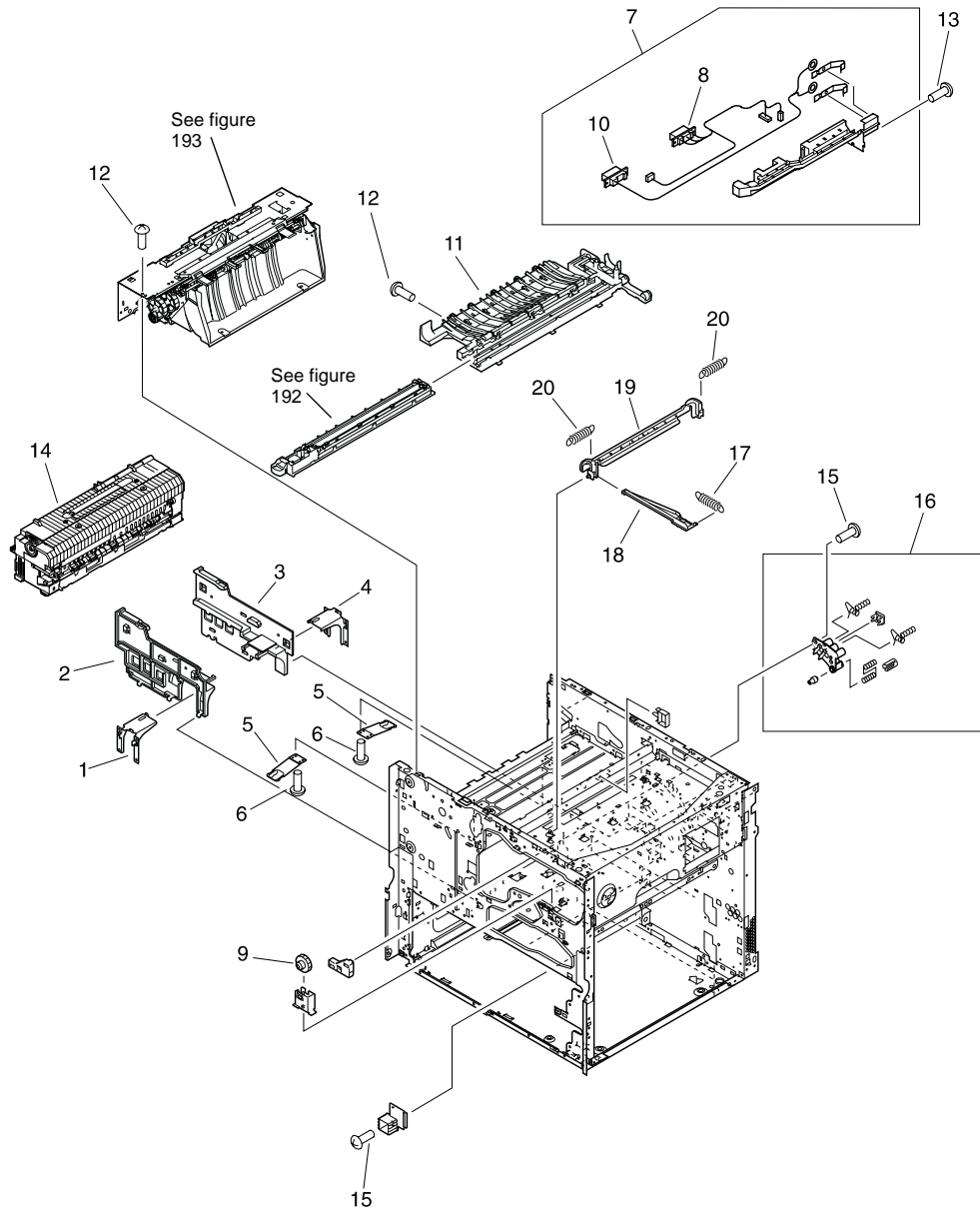


Figure 182. Internal components (1 of 4)

**Table 46. Internal components (1 of 4)**

<b>Ref</b>	<b>Description</b>	<b>Part number</b>	<b>Qty</b>
1	Guide, pickup	RB2-5522-000CN	1
2	Guide, cartridge	RB2-5526-000CN	1
3	Cover, blanking	RB2-5531-000CN	1
4	Hinge mount, damper	RB2-5570-000CN	2
5	Hinge arm, front cover	RB2-5654-000CN	2
6	Cover, right door, inside	RB2-5697-000CN	1
7	Knob, registration, jam removal	RB2-5845-000CN	1
8	Front inside cover assembly	RG5-5721-000CN	1
9	Jam clearing assembly, fuser	RG5-5700-000CN	1
10	Lever assembly, cartridge release	RG5-5746-000CN	1
11	Foot, right side	RB1-6421-000CN	2
12	Foot, left side	RB2-5529-000CN	2
13	Guide rail, cartridge	RG5-5718-000CN	1
14	Screw, M3 by 6	XA9-1275-000CN	
15	Screw, M3 by 8	XA9-1276-000CN	
16	Torque limiter, spacer	RB2-5759-000CN	2
17	Roller, feed/separation	RF5-3338-000CN	4
18	Roller, PICK	RF5-3340-000CN	2
19	Collar	RB2-5547-000CN	1
20	Screw, M3 by 8	XB6-7300-805CN	
21	Screw, M3 by 6	XB6-7300-605CN	
22	Cover, front inside	RB2-5525-000CN	1
23	Link, connect	RB2-5528-000CN	1
24	Spring, tension	RS6-2285-000CN	1
25	Screw, M3 by 14	XB6-7301-405CN	

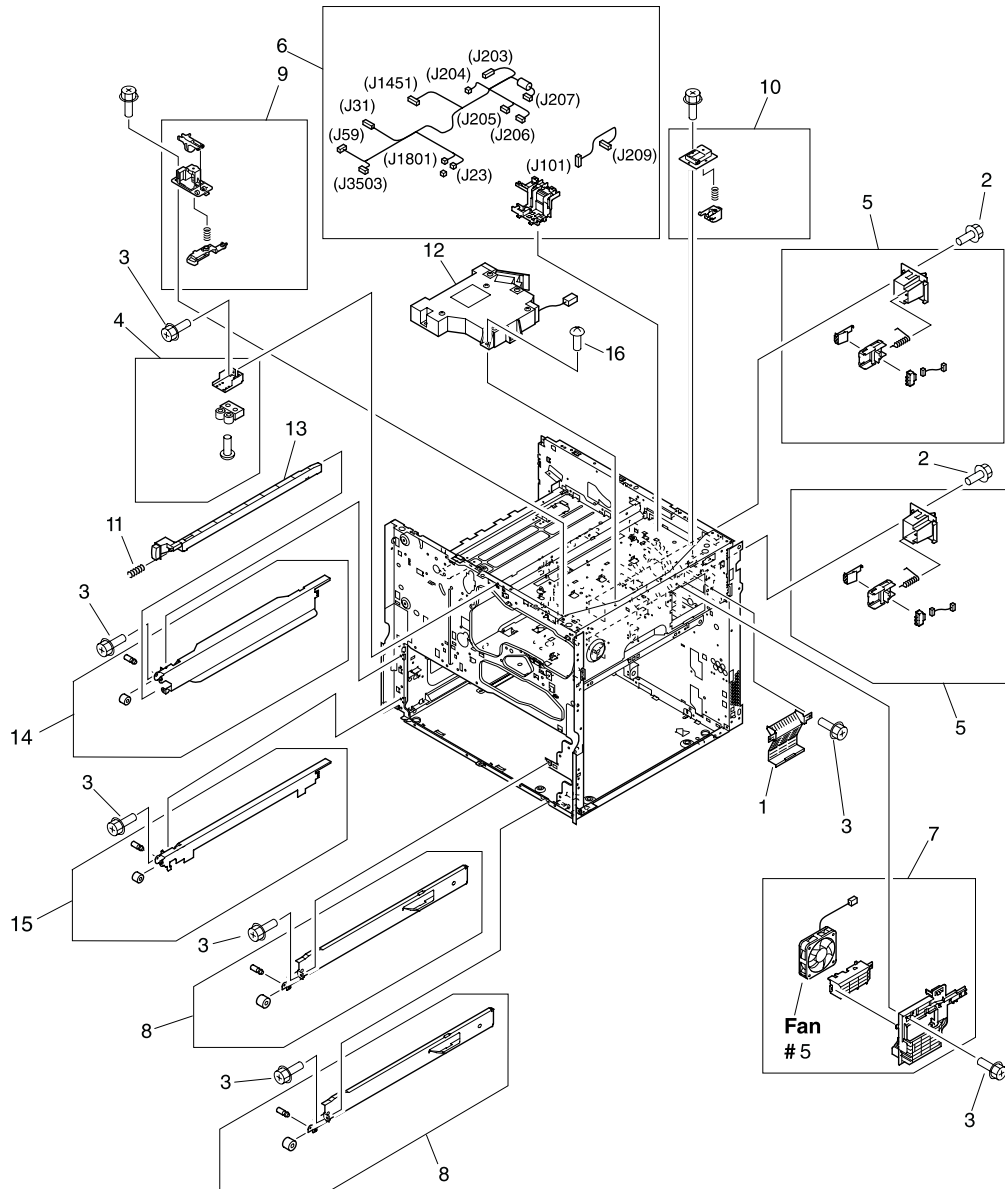




**Figure 183.** Internal components (2 of 4)

**Table 47. Internal components (2 of 4)**

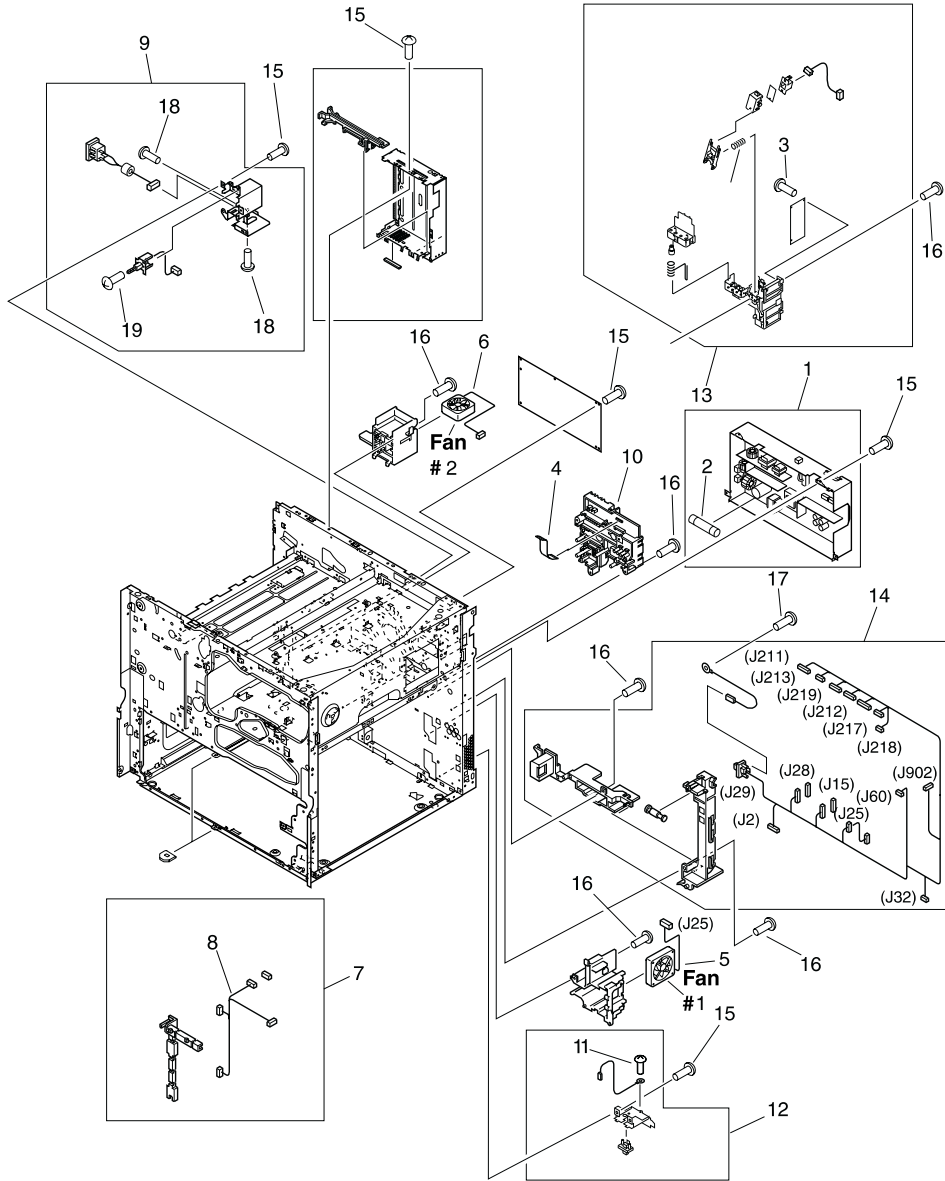
<b>Ref</b>	<b>Description</b>	<b>Part number</b>	<b>Qty</b>
1	Front fusing mount	RB2-5517-000CN	1
2	Front fusing rail	RB2-5515-000CN	1
3	Back fusing rail	RB2-5516-000CN	1
4	Back fusing mount	RB2-5518-000CN	1
5	Spring, leaf	RB2-5523-000CN	2
6	Screw, M3 by 6	XA9-1275-000CN	
7	Fuser connector holder assembly	RG5-5724-000CN	1
8	Fuser power cable	RG5-5771-000CN	1
9	Gear, 21T	RS5-0708-000CN	1
10	Fuser high-voltage cable	RG5-5772-000CN	1
11	Feed guide, transfer	RG5-5651-000CN	1
12	Screw, M3 by 6	XA9-1275-000CN	
13	Screw, M3 by 8	XA9-1276-000CN	
14	Fuser assembly, 110 V	RG5-5750-000CN	1
14	Fuser assembly, 220 V	RG5-5751-000CN	1
15	Screw, M3 by 8	XA9-1276-000CN	
16	Toner contact assembly	RG5-5717-000CN	1
17	Spring, tension	RS6-2299-000CN	
18	Arm, shutter	RB2-5639-000CN	1
19	Shutter, laser	RB2-5640-000CN	1
20	Spring, tension	RS6-2296-000CN	



**Figure 184.** Internal components (3 of 4)

**Table 48. Internal components (3 of 4)**

<b>Ref</b>	<b>Description</b>	<b>Part number</b>	<b>Qty</b>
1	Cover, fan	RB2-5607-000CN	1
2	Screw, M3 by 6	XA9-1275-000CN	
3	Screw, M3 by 8	XA9-1276-000CN	
4	Latch mount assembly	RG5-5704-000CN	1
5	End paper sensor assembly	RG5-5699-000CN	2
6	Upper cable guide assembly	RG5-5723-000CN	1
7	Fan, #5, cartridge fan	RG5-5729-000CN	1
8	Right rail assembly	RG5-5715-000CN	2
9	Cartridge, front pressure assembly	RG5-5709-000CN	1
10	Cartridge, back pressure assembly	RG5-5710-000CN	1
11	Spring, compression	RS6-2302-000CN	
12	Laser/scanner assembly	RG5-5826-000CN	1
13	Rod, switch, ON/OFF	RB2-5661-000CN	1
14	Left rail, upper	RG5-5713-000CN	1
15	Left rail, lower	RG5-5714-000CN	1
16	Screw, M3 by 18	XA9-12801-000CN	

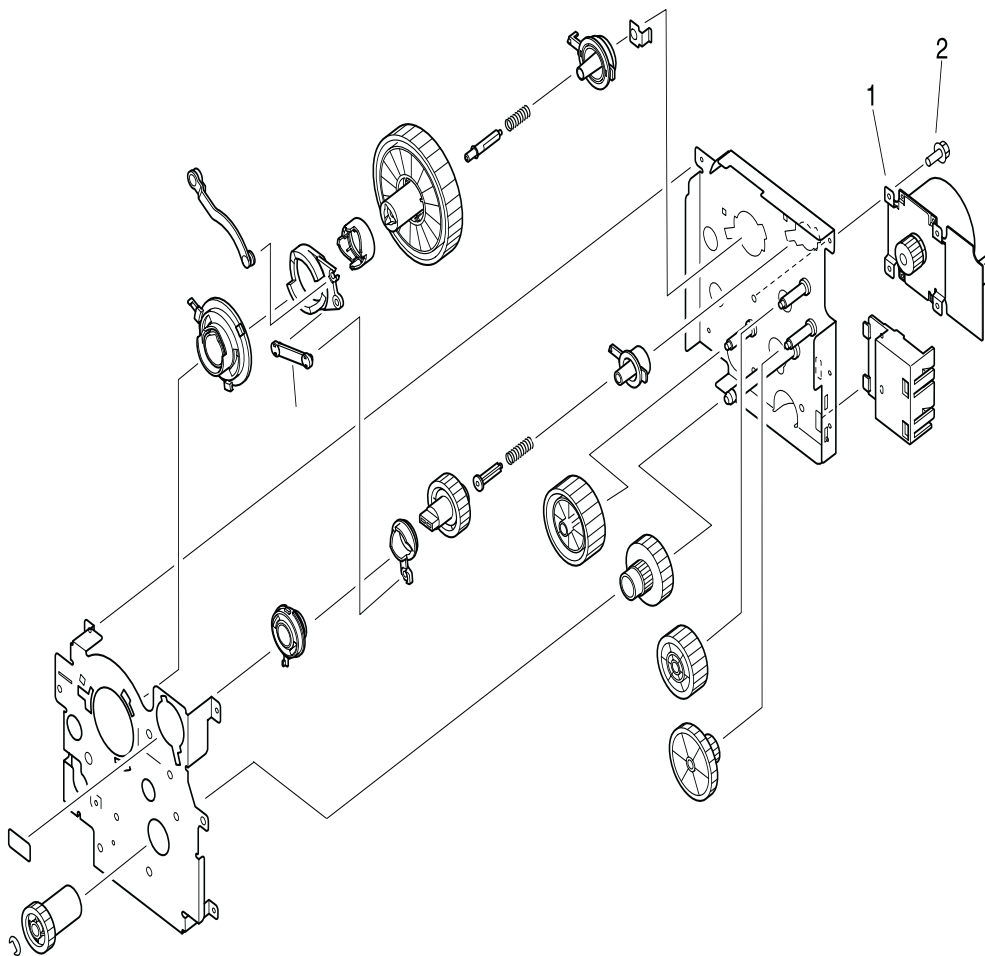


**Figure 185.** Internal components (4 of 4)

**Table 49. Internal components (4 of 4)**

Ref	Description	Part number	Qty
1	Low voltage power supply assembly 110 V	RG5-5730-000CN	1
1	Low voltage power supply assembly 220 V	RG5-5731-000CN	1
2	Fuse 110 V	VD5-0246-301CN	1
2	Fuse 220 V	VD7-0643-151CN	1
3	Screw, M3 by 8	XA9-1169-000CN	
4	Cable, HVPS flat ribbon	RH2-5445-000CN	1
5	Fan, #1, power supply	RH7-5294-000CN	1
6	Fan, #2, controller	RH7-5295-000CN	1
7	Back cable holder assembly	RG5-5725-000CN	1
8	Fan connecting cable	RG5-5759-000CN	1
9	Inlet assembly	RG5-5727-000CN	1
10	High voltage power supply assembly	RG5-5728-000CN	1
11	Screw, M3 by 8	XA9-1200-000CN	
12	Connector assembly	RG5-5779-000CN	1
13	Toner sensor contact, with memory	RG5-5719-000CN	1
14	Main cable harness assembly	RG5-5722-000CN	1
15	Screw, M3 by 6	XA9-1275-000CN	
16	Screw, M3 by 8	XA9-1276-000CN	
17	Screw, M3 by 8	XA9-1200-000CN	
18	Screw, M4 by 6	XA9-0265-000CN	
19	Screw, M3 by 6	XB1-1300-605CN	

## Drum feed drive assembly

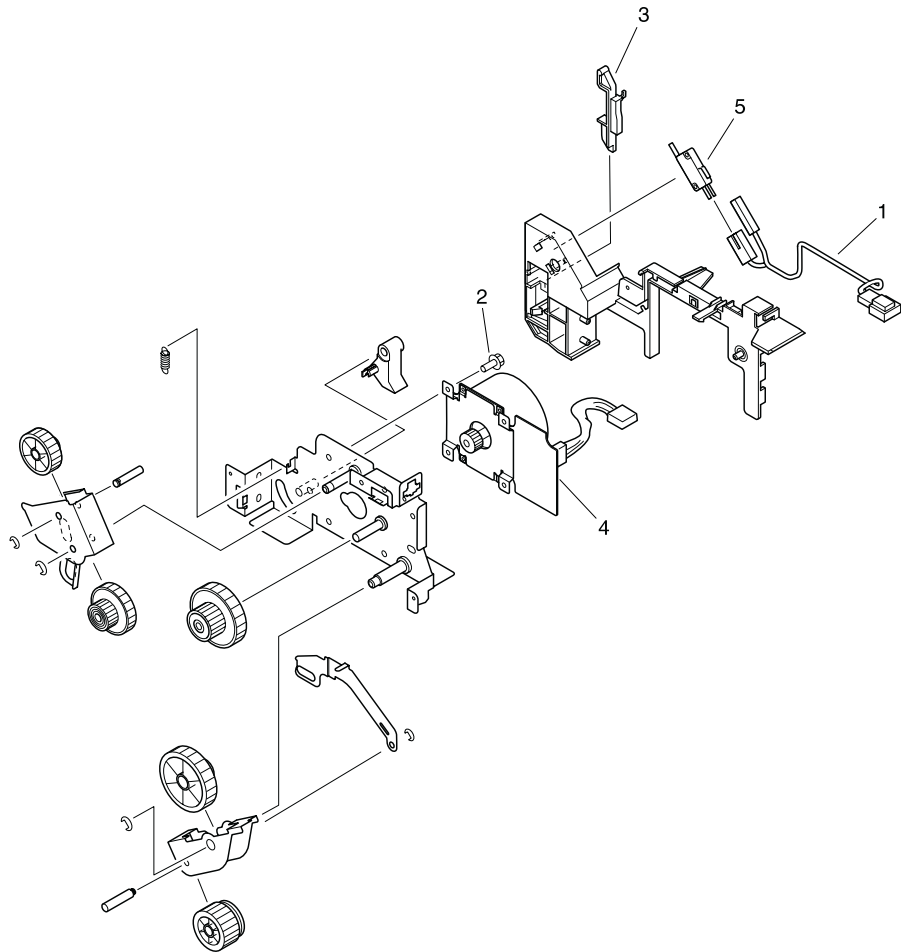


**Figure 186.** Drum feed drive assembly

**Table 50.** Drum feed drive assembly

Ref	Description	Part number	Qty
	Drum feed drive assembly	RG5-5656-000CN	1
1	Motor	RH7-5287-000CN	1
2	Screw, M3 by 6	XA9-1275-000CN	

## Fuser delivery drive assembly



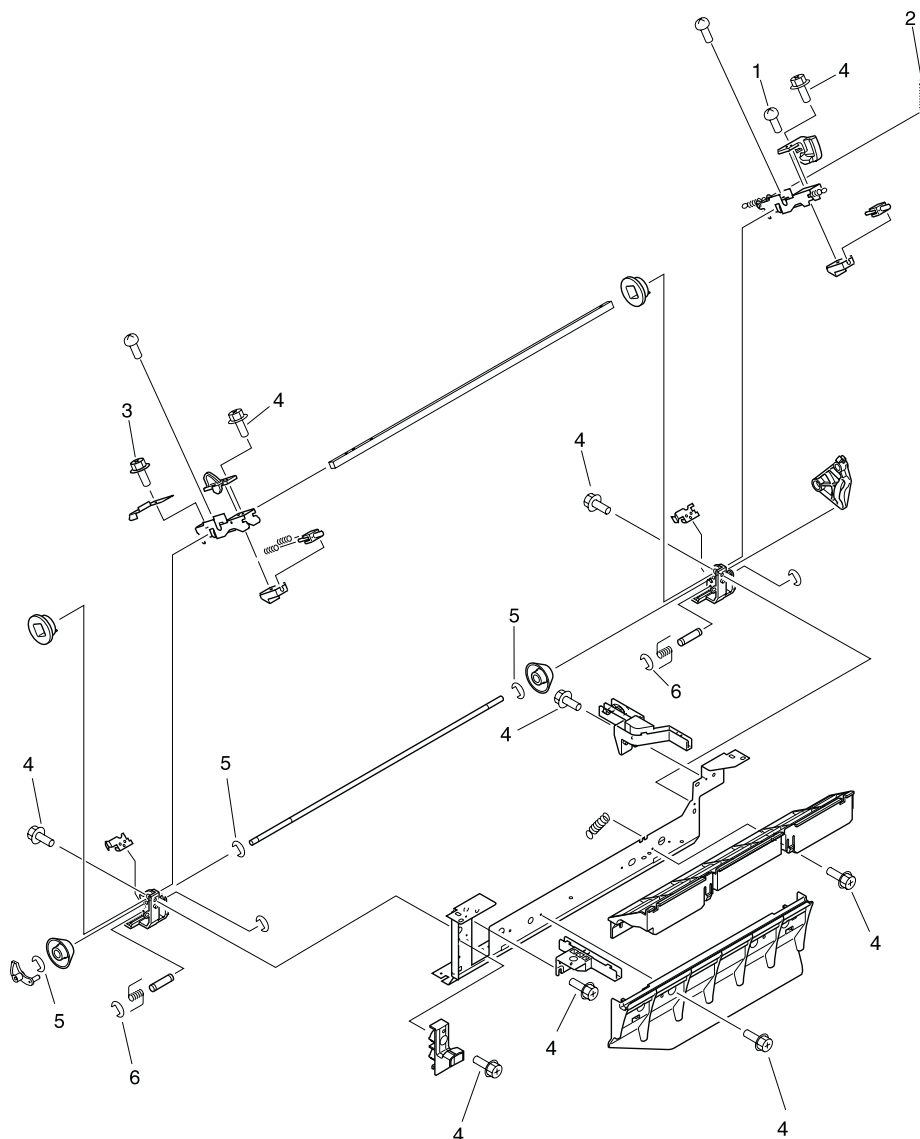
**Figure 187.** Fuser delivery drive assembly

**Table 51. Fuser delivery drive assembly**

Ref	Description	Part number	Qty
	Fuser delivery drive assembly	RG5-5659-000CN	1
1	Switch cable	RG5-5770-000CN	1
2	Screw, M3 by 6	XA9-1275-000CN	
3	Lever, switch	RB2-6077-000CN	1
4	Motor, DC, 24V	RH7-5288-000CN	1
5	Microswitch	WC4-5171-000CN	1



# Cartridge lifter assembly

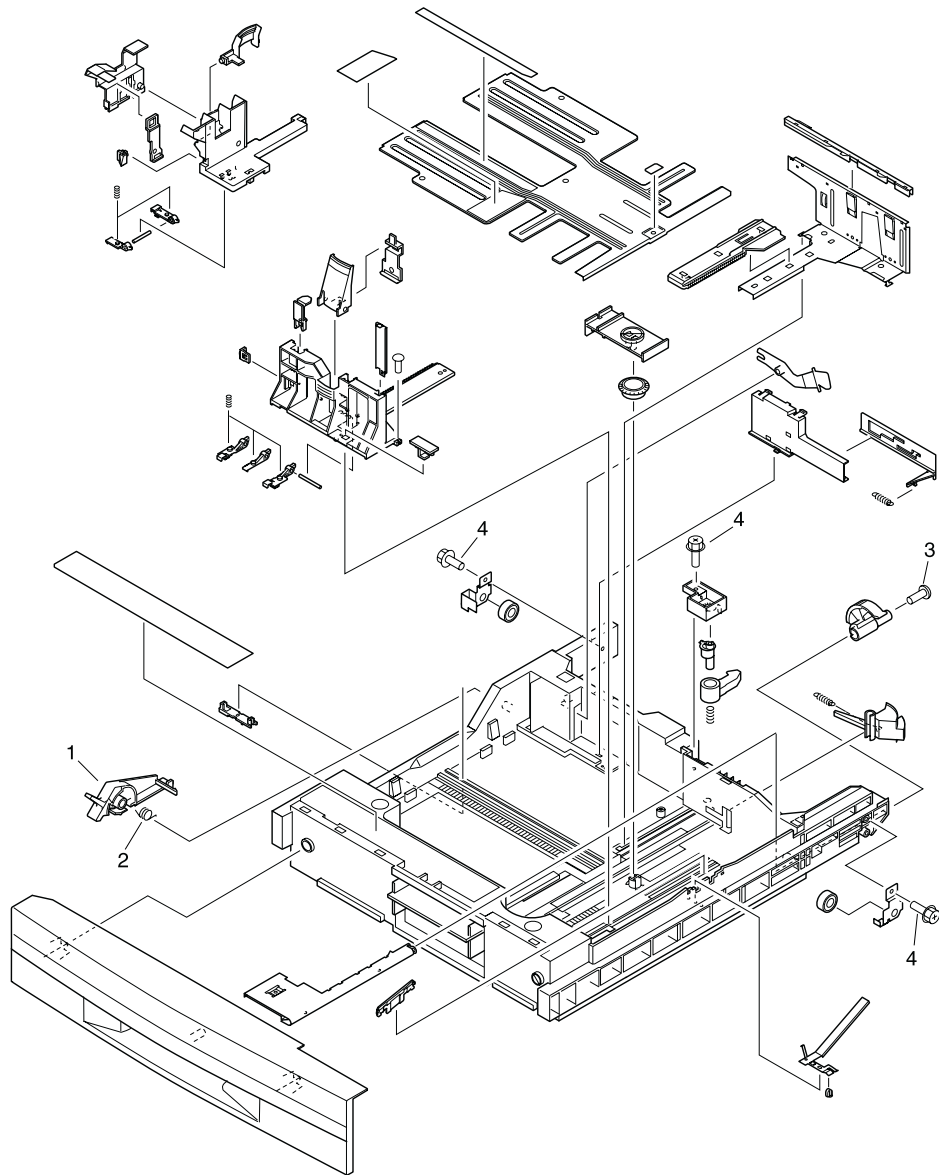


**Figure 188.** Cartridge lifter assembly

**Table 52.** Cartridge lifter assembly

Ref	Description	Part number	Qty
	Cartridge lifter assembly	RG5-5741-000CN	1
1	Screw, M3 by 6	XA9-0596-000CN	
2	Spring, tension	RS6-2298-000CN	1
3	Screw, M3 by 6	XA9-1275-000CN	
4	Screw, M3 by 8	XA9-1276-000CN	
5	E-ring	XD9-0136-000CN	
6	E-ring	XD9-0134-000CN	

## 500-sheet trays (tray 2 and 3)



**Figure 189.** 500-sheet trays (tray 2 and 3)

**Table 53.** 500-sheet trays (tray 2 and 3)

Ref	Description	Part number	Qty
	500-sheet trays	RG5-5635-000CN	1
1	Custom/standard switch	RB2-5813-000CN	1
2	Spring, torsion	RB2-5816-000CN	1
3	Screw, W/W, M3 by 29.5	XA9-0668-000CN	
4	Screw, M4 by 10	XA9-1189-000CN	

## Paper input unit (PIU)

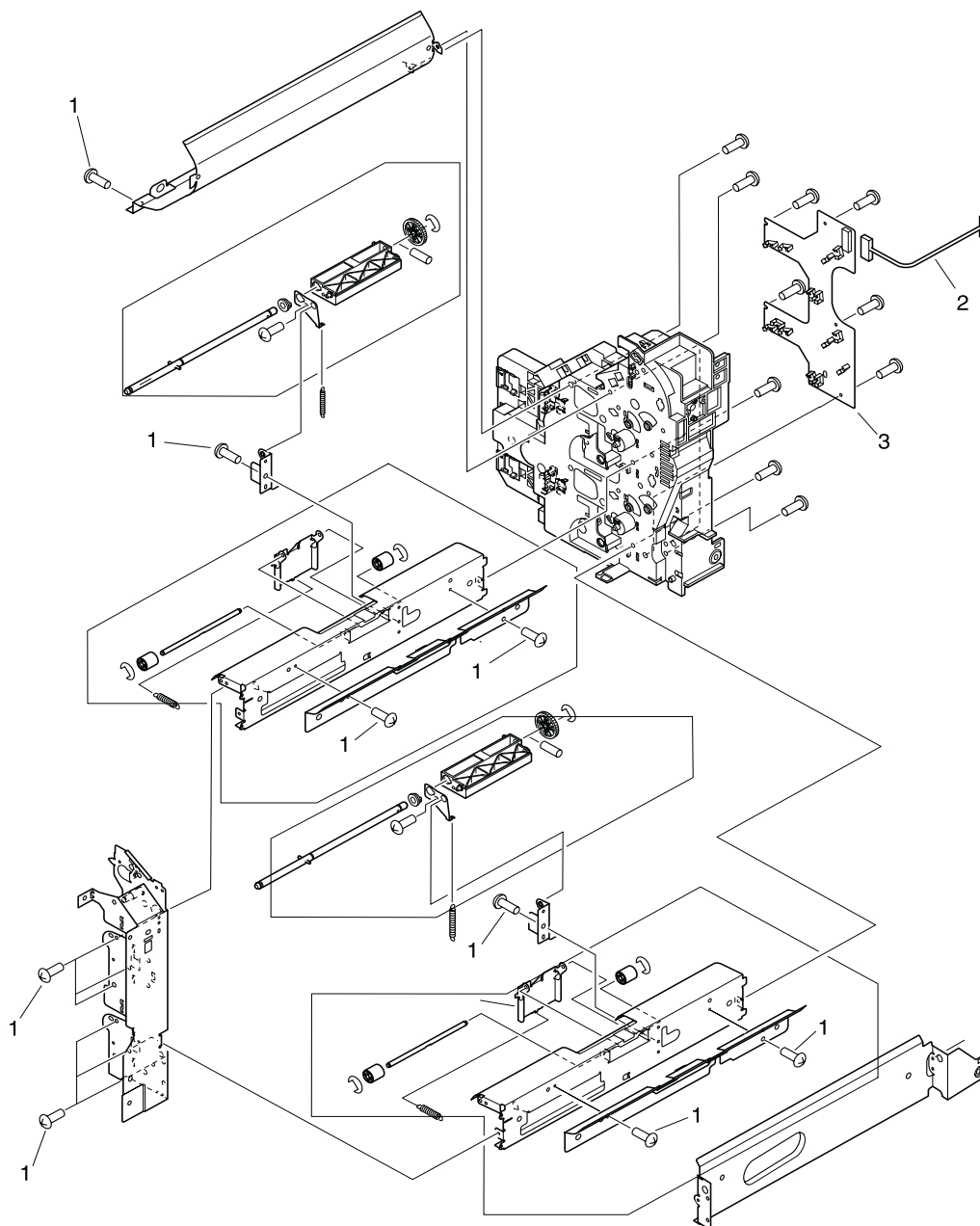
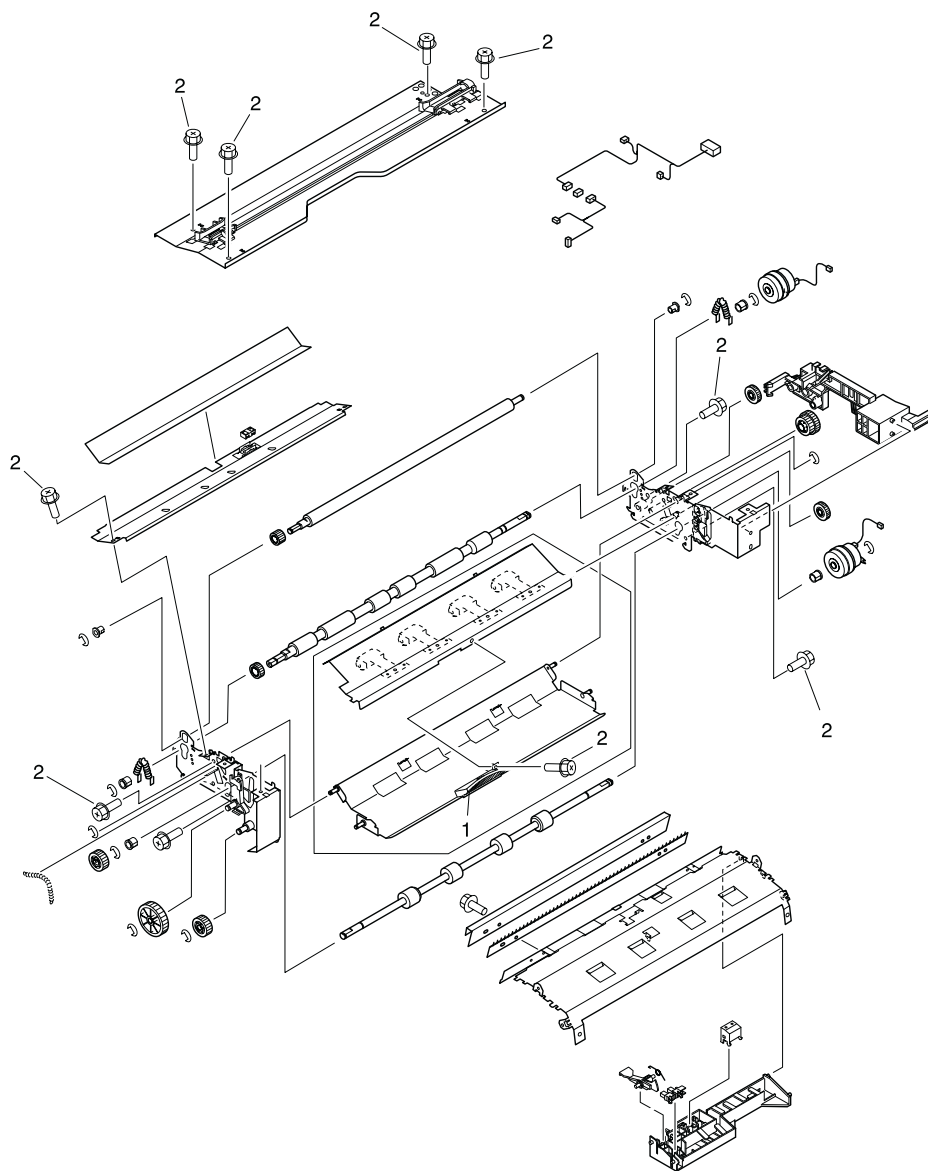


Figure 190. PIU

Table 54. PIU

Ref	Description	Part number	Qty
	Paper input unit	RG5-5677-000CN	1
1	Screw, M3 by 6	XA9-1275-000CN	
2	Paper pickup cable	RG5-5679-000CN	1
3	Paper pickup PCB	RG5-5678-000CN	1

# Registration assembly

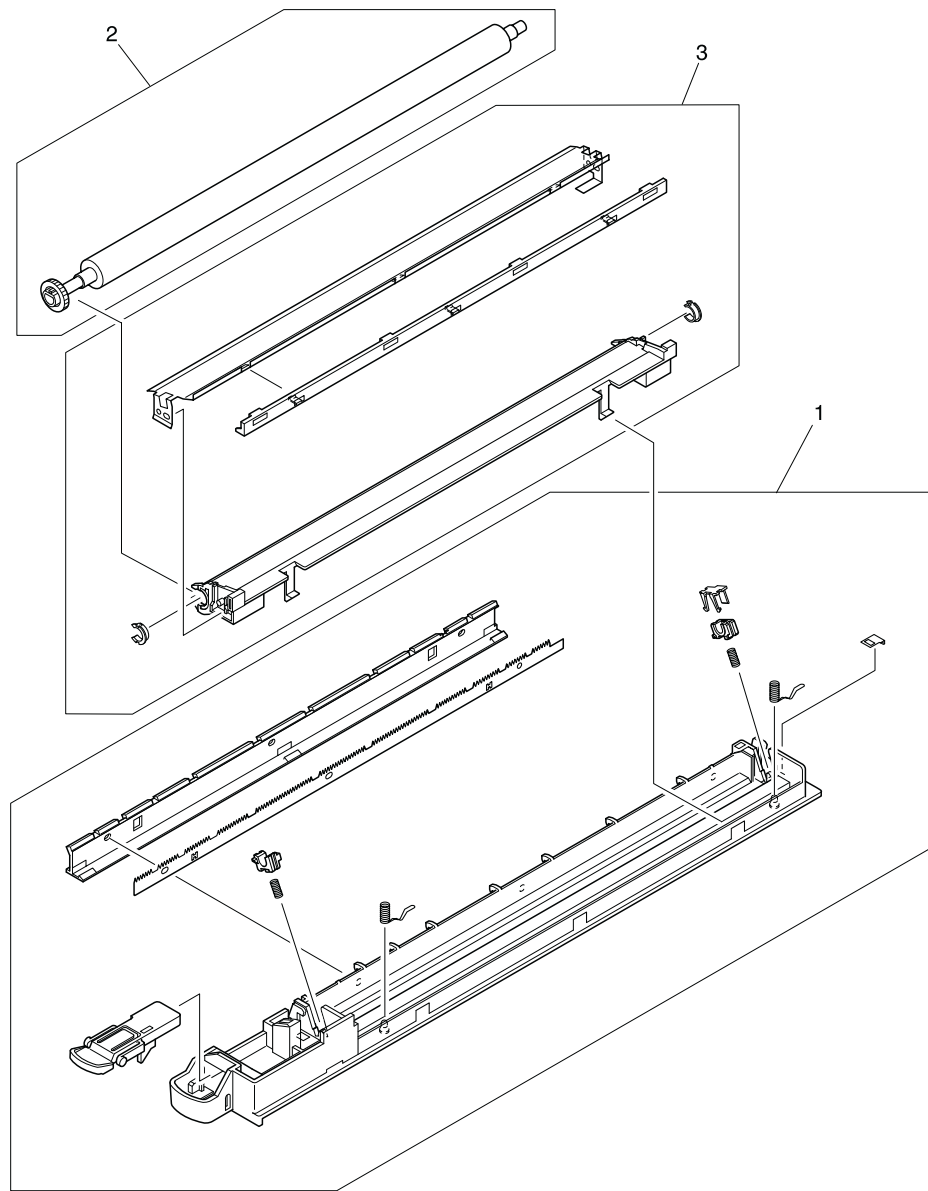


**Figure 191.** Registration assembly

**Table 55.** Registration assembly

Ref	Description	Part number	Qty
	Registration assembly	RG5-5663-000CN	1
1	Knob, guide	RB2-5828-000CN	1
2	Screw, M3 by 6	XA9-1275-000CN	

# Transfer roller assembly



**Figure 192.** Transfer roller assembly

**Table 56. Transfer roller assembly**

<b>Ref</b>	<b>Description</b>	<b>Part number</b>	<b>Qty</b>
	Transfer roller assembly	RG5-5662-000CN	1
1	Holder, transfer	RG5-5653-000CN	1
2	Roller, transfer	RG5-5650-000CN	1
3	Guide, transfer/pre transfer	RG5-5654-000CN	1

# Delivery assembly

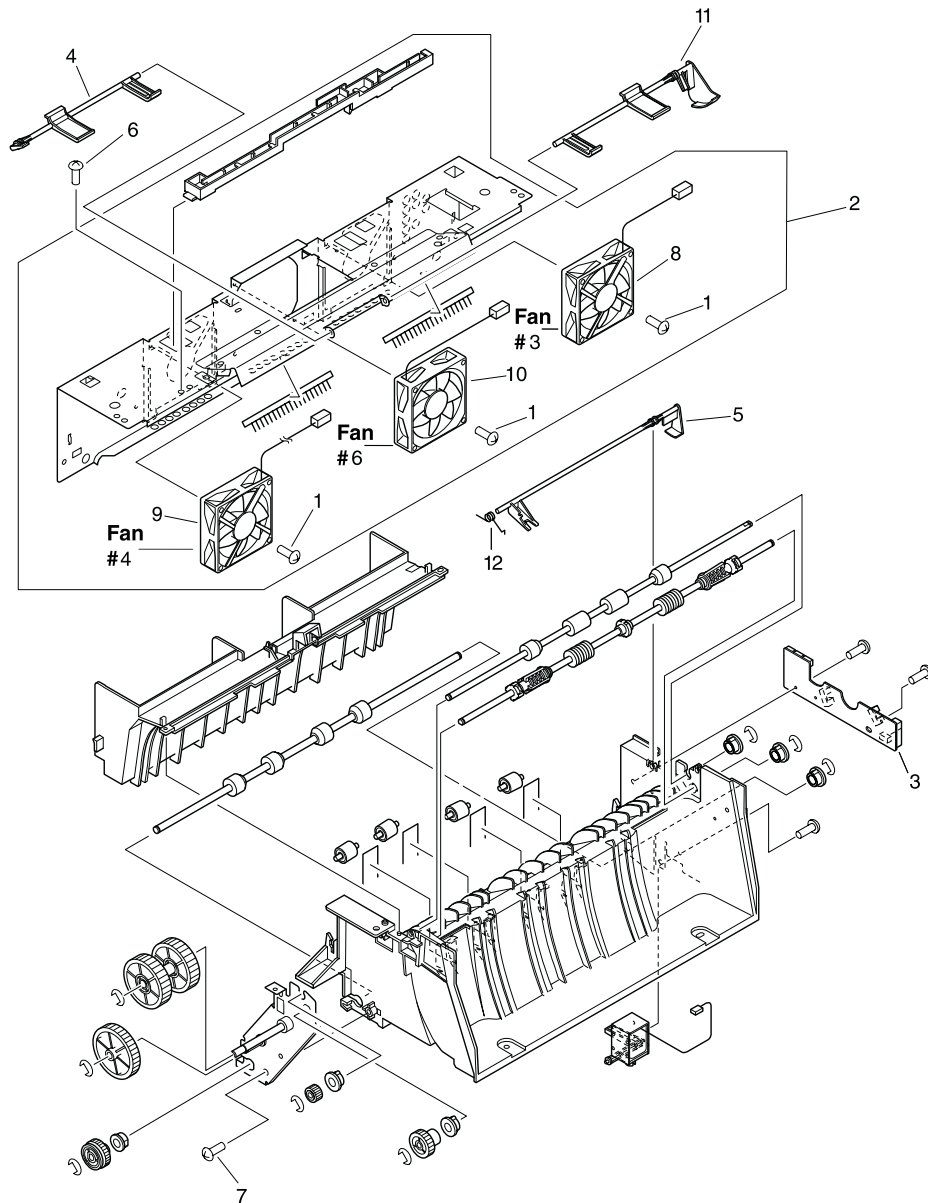


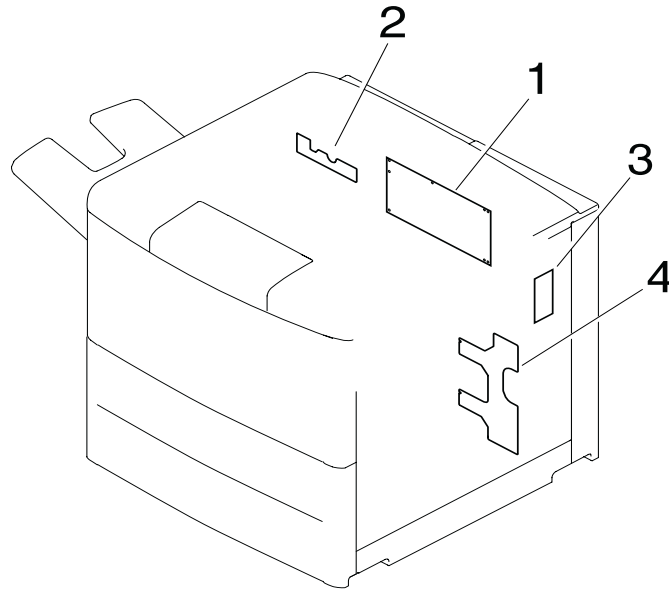
Figure 193. Delivery assembly

**Table 57. Delivery assembly**

<b>Ref</b>	<b>Description</b>	<b>Part number</b>	<b>Qty</b>
	Delivery assembly	RG5-5643-000CN	1
1	Screw, M3 by 30	XB6-7303-005CN	
2	Delivery cross member assembly	RG5-5645-000CN	1
3	Delivery PCB	RG5-5649-000CN	1
4	Flag, sensor	RB2-6037-000CN	1
5	Lever, sensor	RB2-6035-000CN	1
6	Screw, M4 by 10	XA9-1189-000CN	
7	Screw, M3 by 8	XA9-1276-000CN	
8	Fan, #3, rear delivery	RH7-5296-000CN	1
9	Fan, #4, front delivery	RH7-5297-000CN	1
10	Fan, #6, face down tray	RH7-5302-000CN	1
11	Lever, sensor	RB2-6036-000CN	1
12	Spring, tension	RB2-6042-000CN	1



## PCB assembly location



**Figure 194.** PCB assembly location

**Table 58. PCB assembly location**

<b>Ref</b>	<b>Description</b>	<b>Part number</b>	<b>Qty</b>
1	DC controller PCB	RG5-5778-000CN	1
2	Delivery PCB	RG5-5649-000CN	1
3	Memory controller PCB with toner sensor contact	RG5-5719-000CN	1
4	Paper pickup (PIU) PCB	RG5-5678-000CN	1

## 2000-sheet feeder (optional tray 4)

### 2000-sheet feeder (optional tray 4) main body

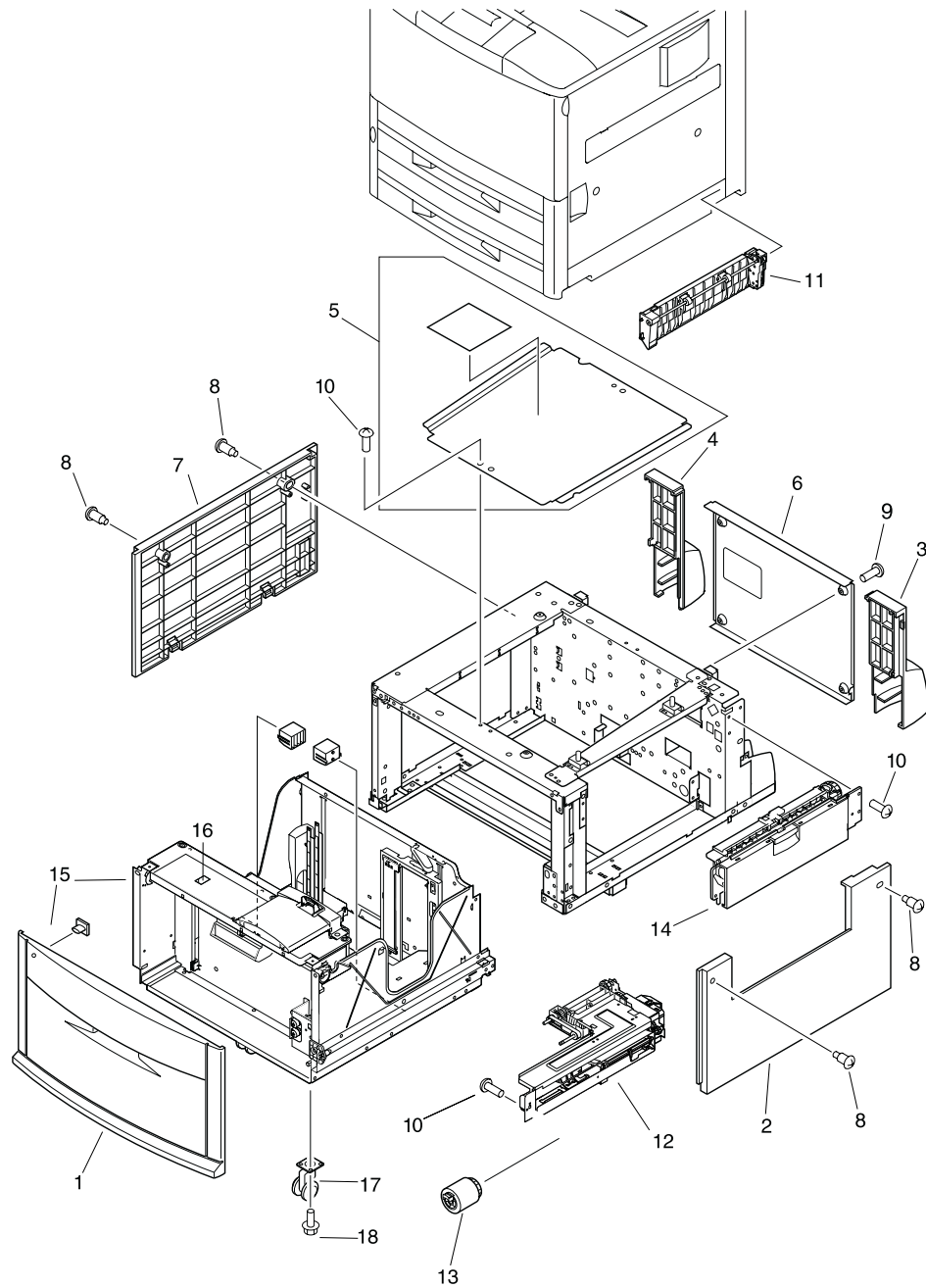
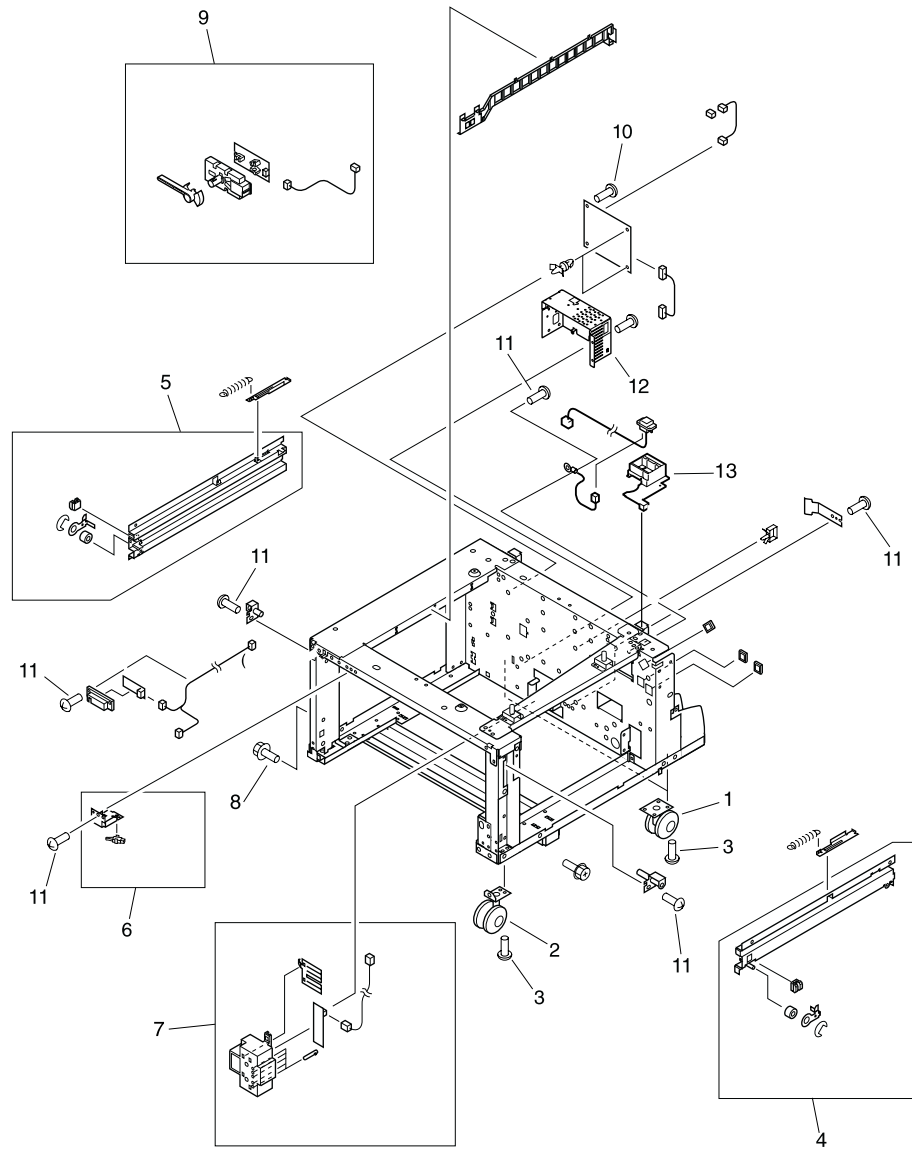


Figure 195. 2000-sheet feeder (optional tray 4) main body (1 of 2)

**Table 59. 2000-sheet feeder (optional tray 4) main body (1 of 2)**

<b>Ref</b>	<b>Description</b>	<b>Part number</b>	<b>Qty</b>
1	Cover, front	RB2-7648-000CN	1
2	Cover, right	RB2-7649-000CN	1
3	Cover, right back	RB2-7650-000CN	1
4	Cover, left back	RB2-7651-000CN	1
5	Cover, center	RB2-7652-000CN	1
6	Cover, back	RF5-3644-000CN	1
7	Cover, left	RF5-3645-000CN	1
8	Screw, stepped	RS5-9099-000CN	
9	Screw, W/W, M4 by 6	XA9-0499-000CN	
10	Screw, M4 by 6	XB6-7400-000CN	
11	Paper path connection unit	RG5-6227-000CN	1
12	Paper input unit (PIU)	RG5-6208-000CN	1
13	Feed/separation rollers	RF5-3338-000CN	1
14	Tray 4 vertical registration assembly	RG5-6225-000CN	1
15	Tray 4	RG5-6212-000CN	1
16	Lever, standard/custom switch	RB2-7762-000CN	1
17	Caster	RB2-7709-000CN	1
18	Screw, M4 by 8	XA9-0732-000CN	

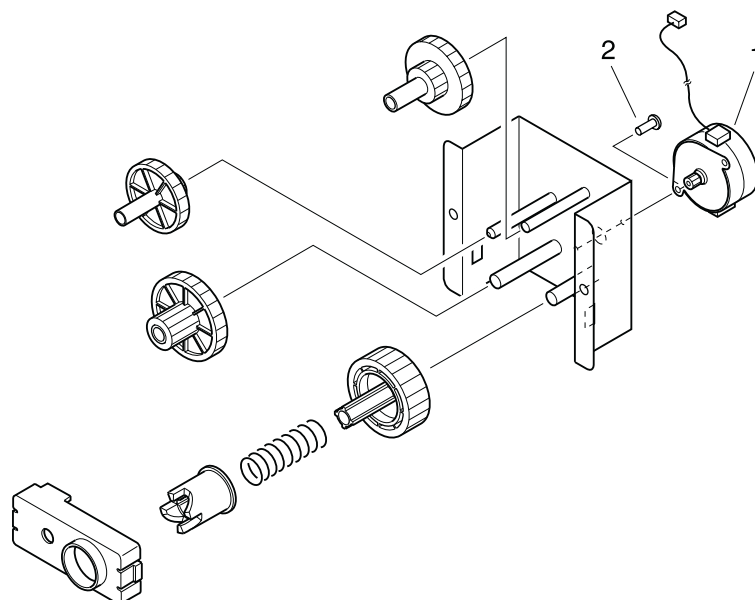


**Figure 196.** 2000-sheet feeder (optional tray 4) main body (2 of 2)

**Table 60. 2000-sheet feeder (optional tray 4) main body (2 of 2)**

<b>Ref</b>	<b>Description</b>	<b>Part number</b>	<b>Qty</b>
1	Caster, back	RB2-7678-000CN	2
2	Caster, front	RB2-7679-000CN	2
3	Screw, M5 by 12	XA9-0912-000CN	
4	Rail guide, right assembly	RG5-6204-000CN	1
5	Rail guide, left assembly	RG5-6205-000CN	1
6	Switch assembly	RG5-6206-000CN	1
7	Paper size sensing assembly	RG5-6207-000CN	1
8	Screws, M4 by 8	XA9-0732-000CN	
9	Paper volume sensing assembly	RG5-6229-000CN	1
10	Screw, M4 by 6	XB6-7300-607CN	
11	Screw, M4 by 6	XB6-7400-607CN	
12	Power supply	RG5-6250-000CN	1
13	Jetlink cable holder assembly	RG5-6203-000CN	1

## 2000-sheet feeder (optional tray 4) drive assembly

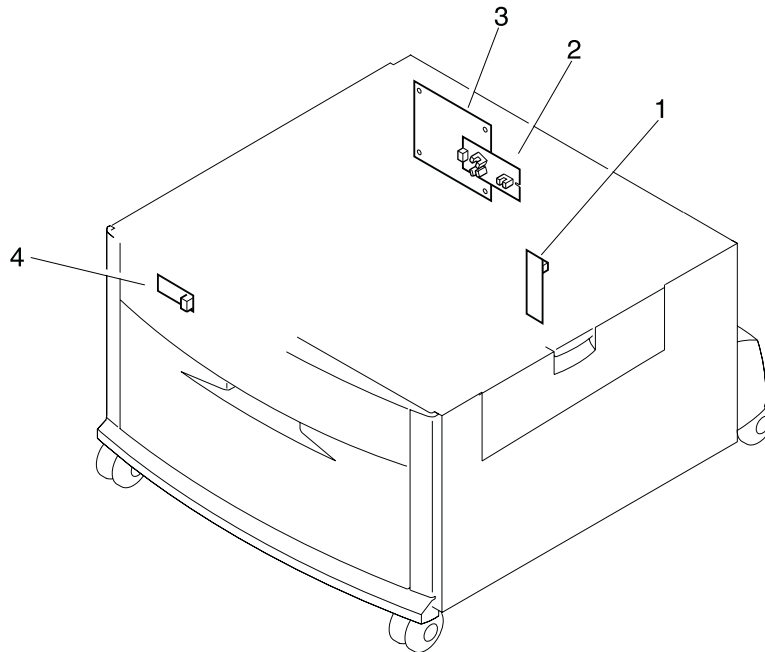


**Figure 197.** 2000-sheet feeder (optional tray 4) drive assembly

**Table 61.** 2000-sheet feeder (optional tray 4) drive assembly

Ref	Description	Part number	Qty
	2000-sheet feeder drive assembly	RG5-6228-000CN	1
1	Motor	RH7-1481-000CN	1
2	Screw, M3 by 6	XB2-6300-607CN	

## 2000-sheet feeder (optional tray 4) PCB location



**Figure 198.** 2000-sheet feeder (optional tray 4) PCB location

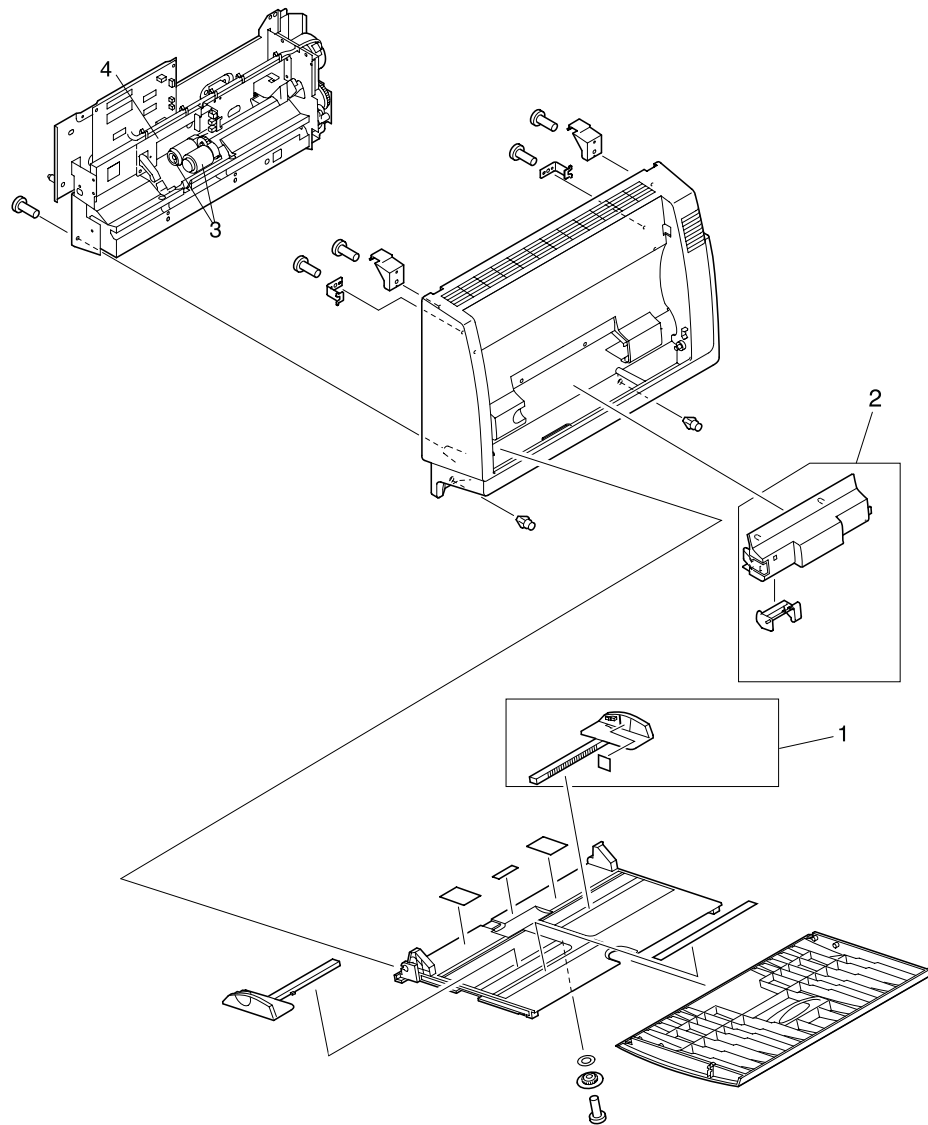
**Table 62.** 2000-sheet feeder (optional tray 4) PCB location

Ref	Description	Part number	Qty
1	Paper size PCB assembly	RG5-6238-000CN	1
2	Paper volume PCB assembly	RG5-6237-000CN	1
3	Controller PCB assembly	RG5-6235-000CN	1
4	LED PCB assembly	RG5-6239-000CN	1



# Optional tray 1

## Optional tray 1 assembly



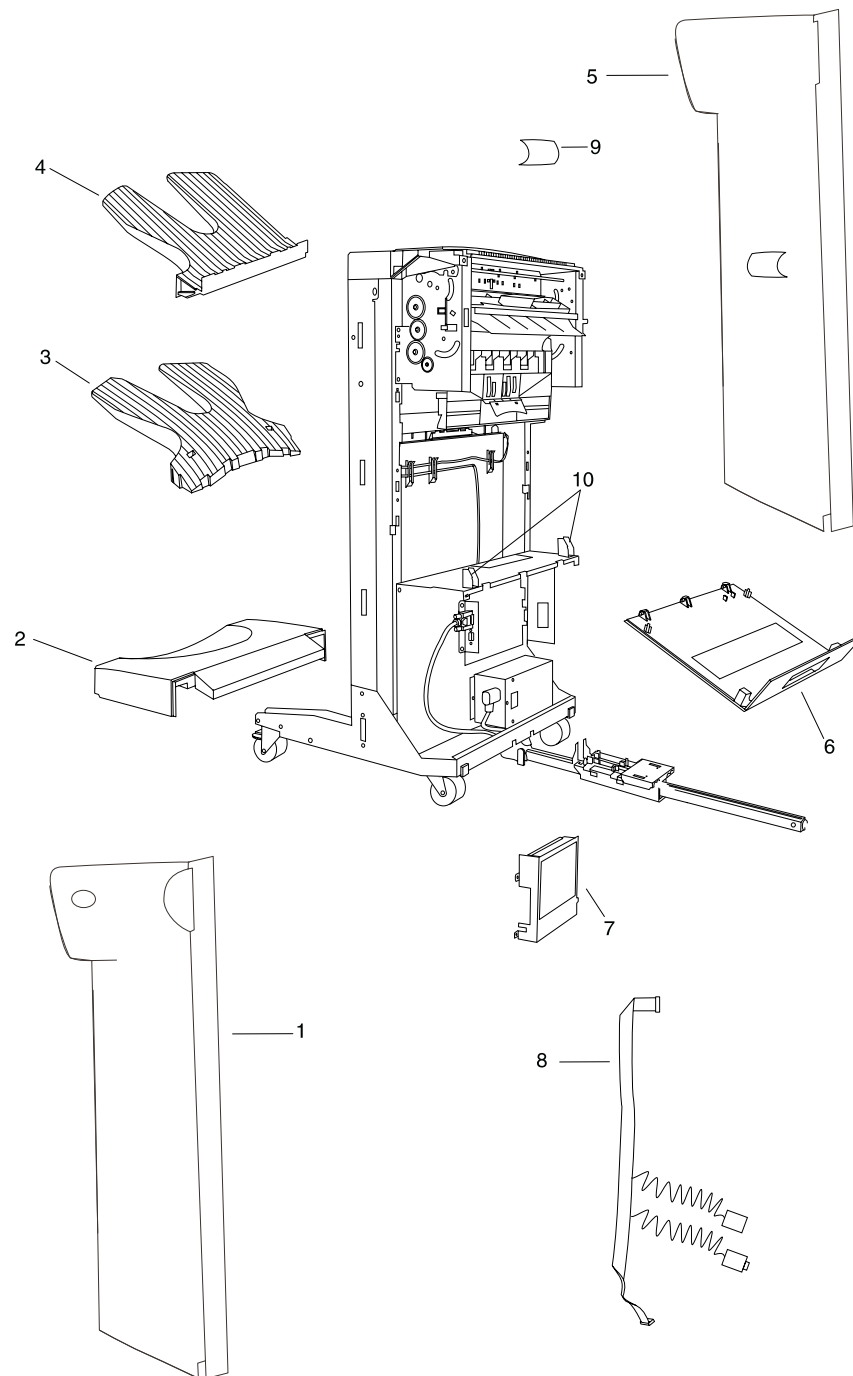
**Figure 199.** Optional tray 1 assembly

**Table 63. Optional tray 1 assembly**

<b>Ref</b>	<b>Description</b>	<b>Part number</b>	<b>Qty</b>
	Tray 1	C8568-67901	1
1	Rivet, case	RB2-6541-000CN	
2	Service cover assembly	RG5-5811-000CN	1
3	Roller, pickup	RF5-3403-000CN	1
4	Roller, separation	RF5-3404-000CN	1

# Paper handling output device

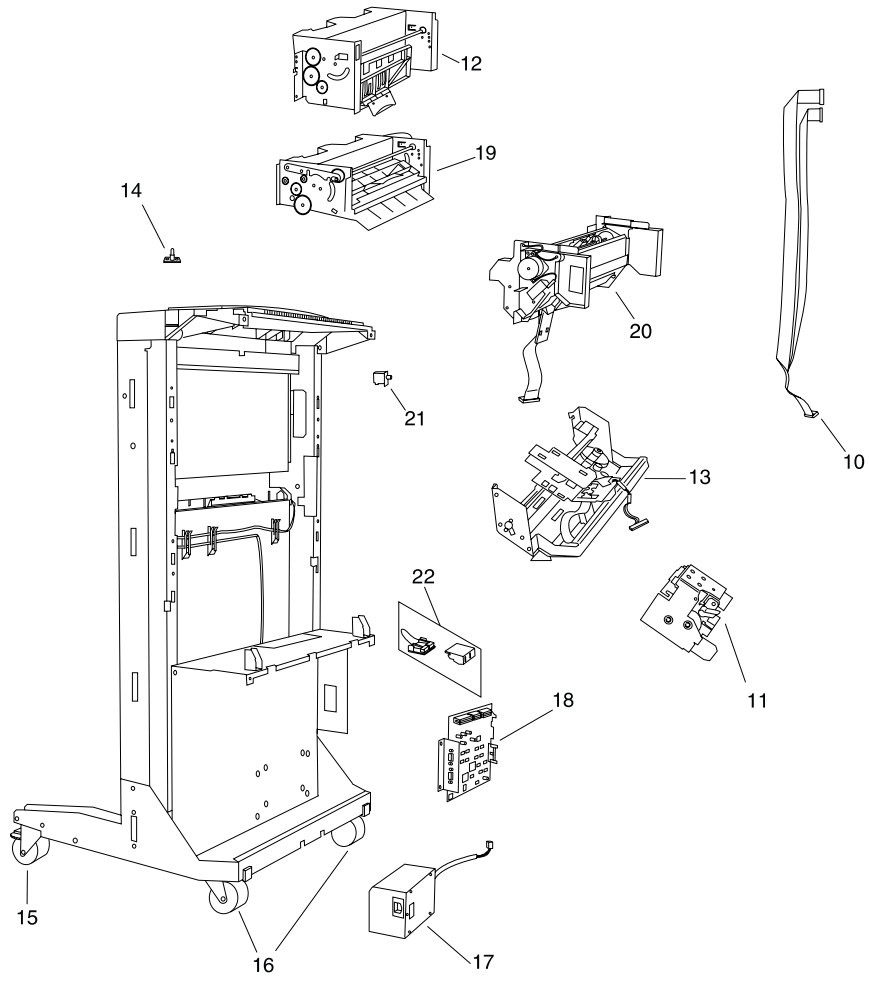
## 3000-sheet stapler/stacker



**Figure 200.** 3000-sheet stapler/stacker (1 of 2)

**Table 64. 3000-sheet stapler/stacker (1 of 2)**

<b>Ref</b>	<b>Description</b>	<b>Part number</b>	<b>Qty</b>
	3000-sheet stapler/stacker	C8085A	1
	Wings kit	C8085-60510	1
	Paper stopper clip kit	C4788-60527	1
	Screws kit	C8085-60512	1
	Stapler/stacker packaging kit	C8085-60513	1
	Optical sensors kit (two sensors)	C8085-60524	1
1	Front cover (includes front inner cover, screws, and screw caps)	C8085-60505	1
2	Foot cover	C8085-60516	1
3	Stapler bin	C4788-60513	1
4	Face-up bin	C4788-60512	1
5	Back cover (includes back inner cover, screws, and screw caps)	C8085-60504	1
6	Stapler door assembly with label	C8085-60506	1
7	Stapler controller PCA cover with label	C8085-60507	1
8	Jet-link cable and power cord assembly	C8085-60517	1
9	Bubbled cover	C8085-60520	1
10	Stapler plastic kit (cable holders, stapler door hinges, safety switch cover)	C8085-60523	1



**Figure 201.** 3000-sheet stapler/stacker (2 of 2)

**Table 65. 3000-sheet stapler/stacker (2 of 2)**

<b>Ref</b>	<b>Description</b>	<b>Part number</b>	<b>Qty</b>
10	Flipper and paper path ribbon cable	C8085-60515	1
11	Stapler unit	C8085-60522	1
12	Flipper assembly	C8085-60500	1
13	Carriage assembly	C8085-60503	1
14	LED PCA	C4788-60510	1
15	Casters adjustable with E-clips	C8085-60511	1
16	Casters stationary	C4788-60515	1
17	Stapler power supply	C8085-60509	1
18	Stapler controller PCA	C8085-60508	1
19	Paper path assembly	C8085-60501	1
20	Accumulator assembly	C8085-60502	1
21	Interlock switch	C4788-60514	1
22	Safety switch assembly	C4788-60517	1

# 3000-sheet stacker

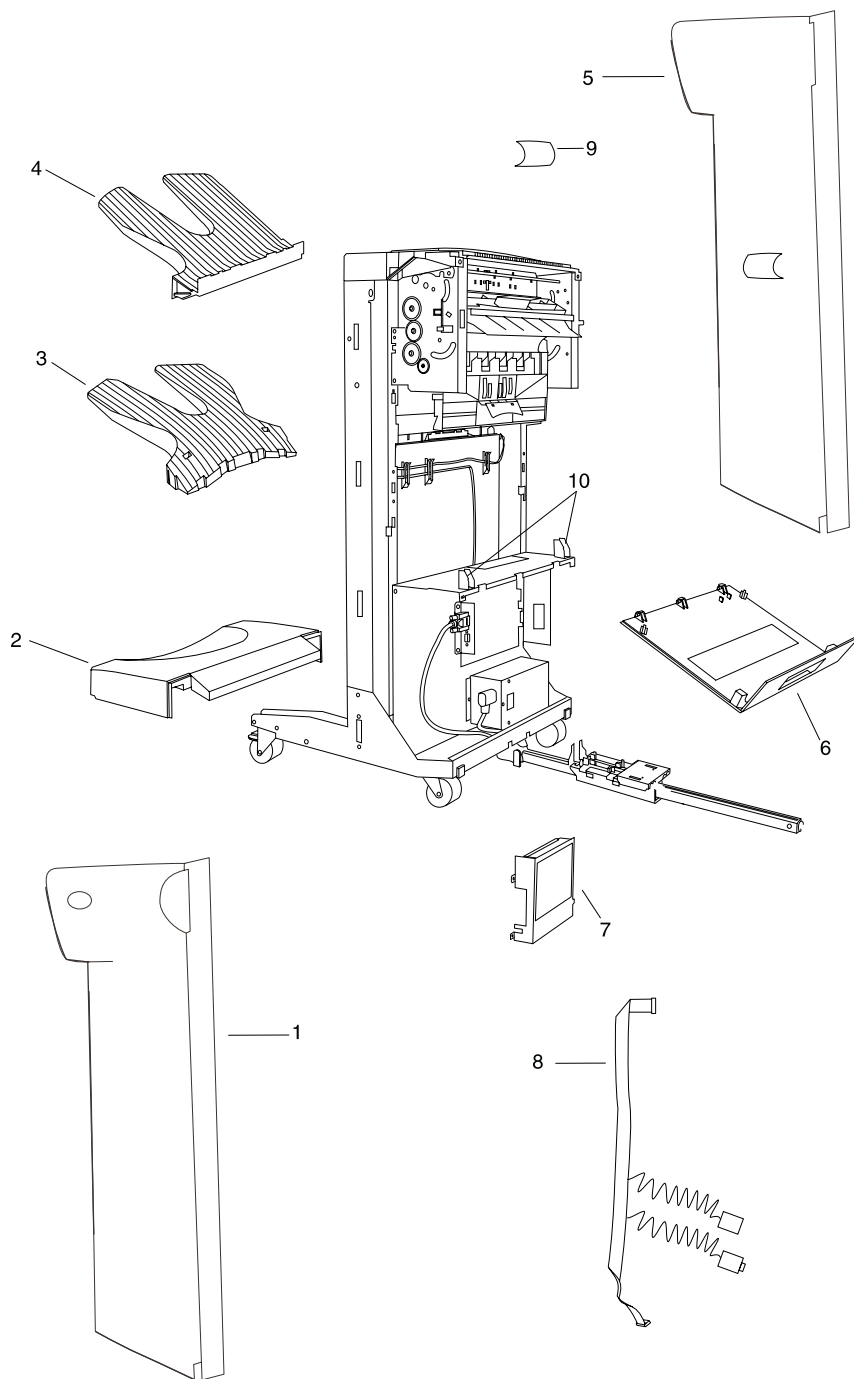
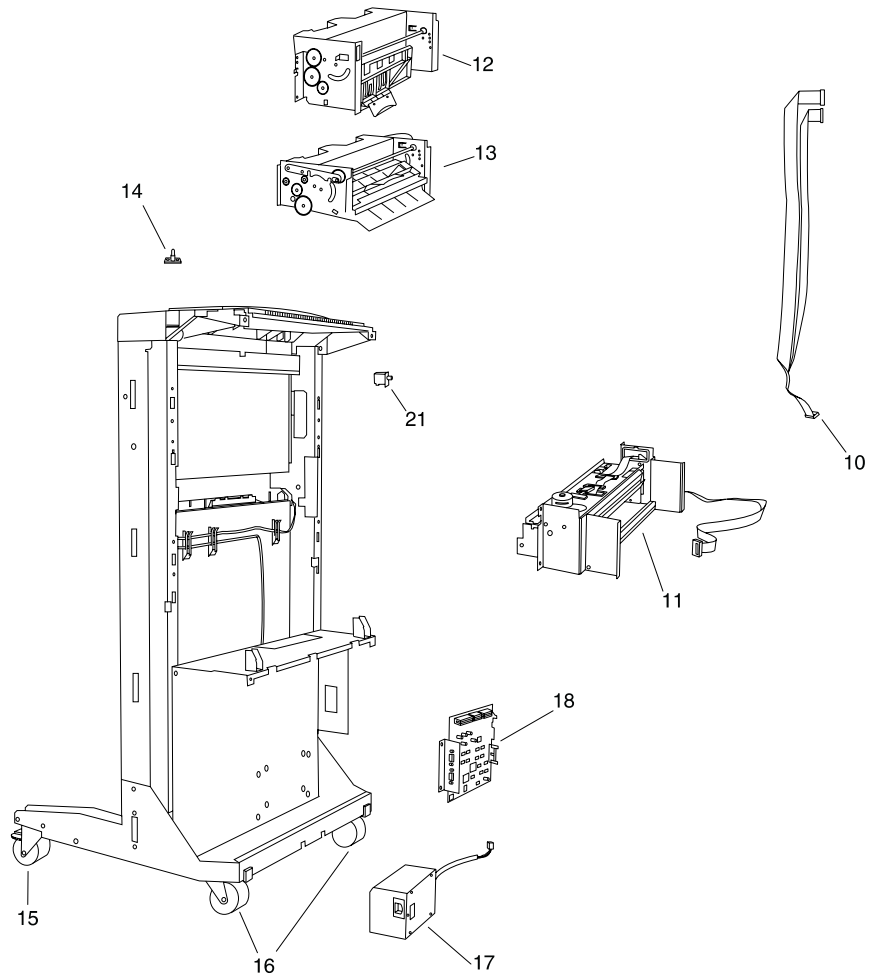


Figure 202. 3000-sheet stacker (1 of 2)

**Table 66. 3000-sheet stacker (1 of 2)**

<b>Ref</b>	<b>Description</b>	<b>Part number</b>	<b>Qty</b>
	3000-sheet stacker	C8084A	1
	Paper stopper clip kit	C4788-60527	1
	Screws kit	C8085-60512	1
	Stapler/stacker packaging kit	C8085-60513	1
	Optical sensors kit	C8085-60524	1
1	Front cover (includes front inner cover, screws, and screw caps)	C8085-60505	1
2	Foot cover	C8085-60516	1
3	Stacker bin	C4779-60505	1
4	Face-up bin	C4788-60512	1
5	Back cover (includes back inner cover, screws, and screw caps)	C8085-60504	1
6	Stacker door assembly with label	C4779-60502	1
7	Stacker controller PCA cover with label	C8084-60501	1
8	Jet-link cable and power cord assembly	C8085-60517	1
9	Bubbled cover	C8085-60520	1
10	Stacker plastic kit (cable holders, stapler door hinges, safety switch cover)	C8084-60505	1





**Figure 203.** 3000-sheet stacker (2 of 2)

**Table 67. 3000-sheet stacker (2 of 2)**

<b>Ref</b>	<b>Description</b>	<b>Part number</b>	<b>Qty</b>
10	Flipper ribbon cable	C8085-60515	1
11	Offset assembly	C8084-60500	1
12	Flipper assembly	C8085-60500	1
13	Paper path assembly	C8085-60501	1
14	LED PCA	C4788-60510	1
15	Casters adjustable with E-clips	C8085-60511	1
16	Casters stationary	C4788-60515	1
17	Stacker power supply	C8084-60504	1
18	Stacker controller PCA	C8084-60502	1
21	Interlock switch	C4788-60514	1